

RENAULT

6 Sealing and soundproofing

65A OPENING ELEMENT SEALING

66A WINDOW SEALING

68A SOUNDPROOFING

X45

JANUARY 2008

Edition Anglaise

"The repair methods given by the manufacturer in this document are based on the technical specifications current when it was prepared.

The methods may be modified as a result of changes introduced by the manufacturer in the production of the various component units and accessories from which his vehicles are constructed."

All copyrights reserved by Renault.

The reproduction or translation in part of whole of the present document, as well as the use of the spare parts reference numbering system, are prohibited without the prior written consent of Renault.

KOLEOS - Section 6

Contents

Page

65A	OPENING ELEMENT SEALING		68A	SOUNDPROOFING	
	Front side door frame seal: Removal - Refitting	65A-1		Centre floor rear soundproofing: Removal - Refitting	68A-4
	Door sealing film: Removal - Refitting	65A-2		Bulkhead insulating material: Removal - Refitting	68A-6
	Rear side door seal: Removal - Refitting	65A-3			
	Tailgate seal: Removal - Refitting	65A-4			
66A	WINDOW SEALING				
	Front side door glass run channel: Removal - Refitting	66A-1			
	Front door side exterior weather strip: Removal - Refitting	66A-2			
	Rear side door exterior weather strip: Removal - Refitting	66A-4			
	Glass run channel in rear side door: Removal - Refitting	66A-5			
68A	SOUNDPROOFING				
	Bonnet soundproofing: Removal - Refitting	68A-1			
	Centre floor side soundproofing: Removal - Refitting	68A-2			

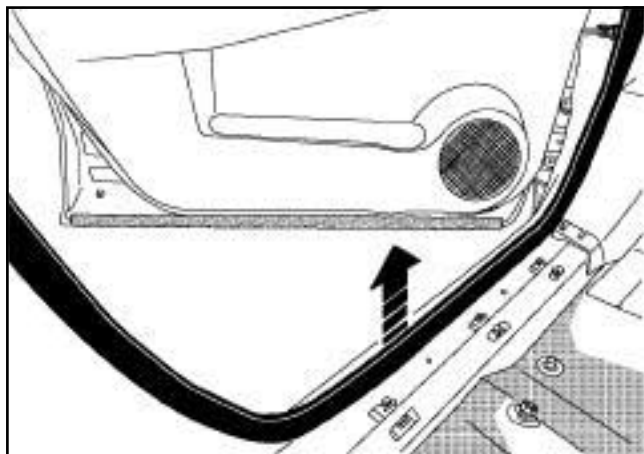
REMOVAL

I - REMOVAL PREPARATION OPERATION

Remove:

- the front door sill lining (see **Front door sill lining: Removal - Refitting**) (MR 421, 71A, Body internal trim),
- the cab floor trim (see **Cab floor lining: Removal - Refitting**) (MR 421, 71A, Body internal trim),
- the B-pillar trim (see **B-pillar trim: Removal - Refitting**) (MR 421, 71A, Body internal trim).

II - OPERATION FOR REMOVAL OF PART CONCERNED



130153

Remove the front side door frame seal.

REFITTING

I - REFITTING OPERATION FOR PART CONCERNED

Refit the front side door frame seal.

II - FINAL OPERATION.

Refit:

- the B-pillar trim (see **B-pillar trim: Removal - Refitting**) (MR 421, 71A, Body internal trim),
- the cab floor trim (see **Cab floor lining: Removal - Refitting**) (MR 421, 71A, Body internal trim),
- the front door sill lining (see **Front door sill lining: Removal - Refitting**) (MR 421, 71A, Body internal trim).

OPENING ELEMENT SEALING

Door sealing film: Removal - Refitting

65A

□

Note:

When removing the sealing film, the mastic must remain on the sealing film. Any damage to the mastic requires the sealing film to be replaced.

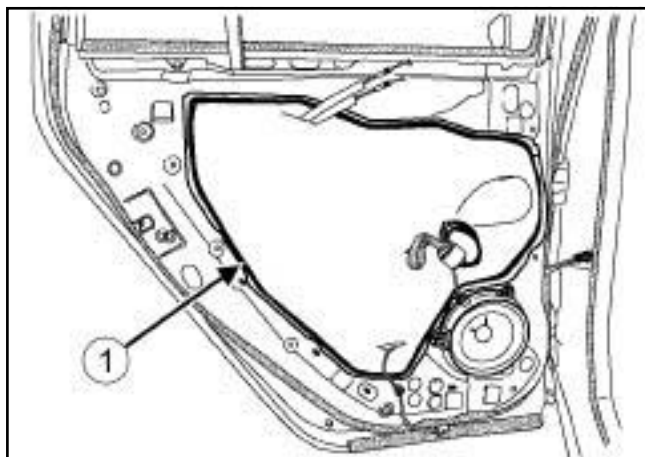
REMOVAL

I - REMOVAL PREPARATION OPERATION

- Remove the rear side door trim (see **Rear side door trim: Removal - Refitting**) (72A, Side opening elements trim).

II - OPERATION FOR REMOVAL OF PART CONCERNED

- (REAR SIDE DOOR)



130338

- Carefully peel off the sealing film (1) .

REFITTING

I - REFITTING PREPARATION OPERATION

□

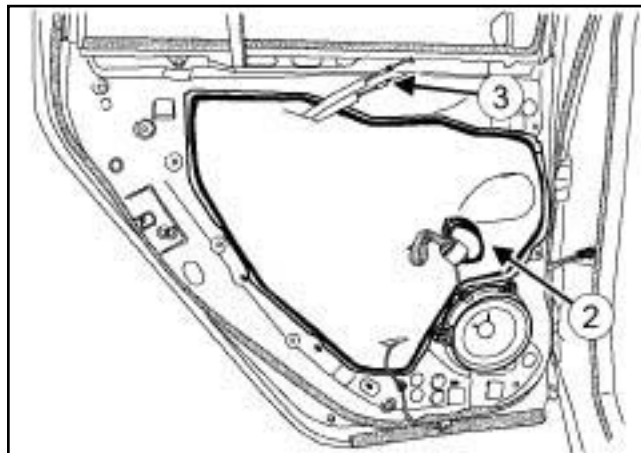
Note:

Remove any adhesive residue from the door box section.

Clean the door box section with heptane using a dry, lint-free cloth.

The door must be clean (free of dust, grease, anti-adhesive products), with no trace of impurities and no condensation.

II - REFITTING OPERATION FOR PART CONCERNED



130339

- Refit:
 - the internal door opening control cable (3) ,
 - the speaker cable (2) .
- Attach the sealing film around its entire edge.

III - FINAL OPERATION.

- Refit the rear side door trim (see **Rear side door trim: Removal - Refitting**) (72A, Side opening elements trim).

OPENING ELEMENT SEALING

Rear side door seal: Removal - Refitting

65A

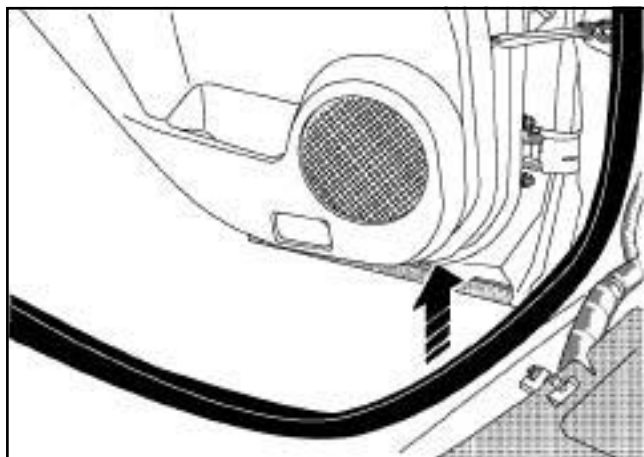
REMOVAL

I - REMOVAL PREPARATION OPERATION

Remove:

- the rear door sill lining (see **Rear door sill lining: Removal - Refitting**) (MR 421, 71A, Body internal trim),
- the B-pillar trim (see **B-pillar trim: Removal - Refitting**) (MR 421, 71A, Body internal trim),
- the C-pillar lower trim (see **C-pillar lower trim: Removal - Refitting**) (MR 421, 71A, Body internal trim).

II - OPERATION FOR REMOVAL OF PART CONCERNED



130154

Remove the rear side door seal.

REFITTING

I - REFITTING OPERATION FOR PART CONCERNED

Refit the rear side door seal.

II - FINAL OPERATION.

Refit:

- the C-pillar lower trim (see **C-pillar lower trim: Removal - Refitting**) (MR 421, 71A, Body internal trim),
- the B-pillar trim (see **B-pillar trim: Removal - Refitting**) (MR 421, 71A, Body internal trim),
- the rear door sill lining (see **Rear door sill lining: Removal - Refitting**) (MR 421, 71A, Body internal trim).

OPENING ELEMENT SEALING

Tailgate seal: Removal - Refitting

65A

REMOVAL

I - REMOVAL PREPARATION OPERATION

- Remove the rear panel trim (see **Rear panel trim: Removal - Refitting**) (MR 421, 71A, Body internal trim).

II - OPERATION FOR REMOVAL OF PART CONCERNED



130155

- Remove the tailgate seal (1) .

REFITTING

I - REFITTING OPERATION FOR PART CONCERNED

- Refit the tailgate seal (1) .

II - FINAL OPERATION.

- Refit the rear panel trim (see **Rear panel trim: Removal - Refitting**) (MR 421, 71A, Body internal trim)

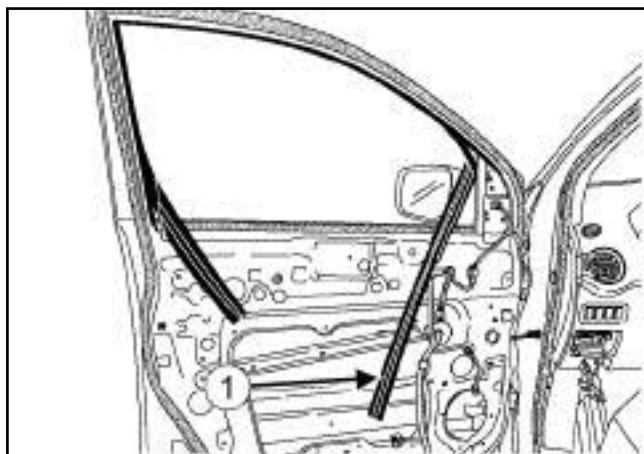
REMOVAL

I - REMOVAL PREPARATION OPERATION

Remove:

- the front side door trim (see **Front side door trim: Removal - Refitting**) (72A, Side opening element trim),
- the front side door sliding window (see **Sliding window in front side door: Removal - Refitting**) (54A, Windows).

II - OPERATION FOR REMOVAL OF PART CONCERNED



130340

Remove the front door window channel (1) .

REFITTING

I - REFITTING OPERATION FOR PART CONCERNED

Refit the front door window channel (1) .

II - FINAL OPERATION.

Refit:

- the front side door sliding window (see **Sliding window in front side door: Removal - Refitting**) (54A, Windows),
- the front side door trim (see **Front side door trim: Removal - Refitting**) (72A, Side opening element trim).

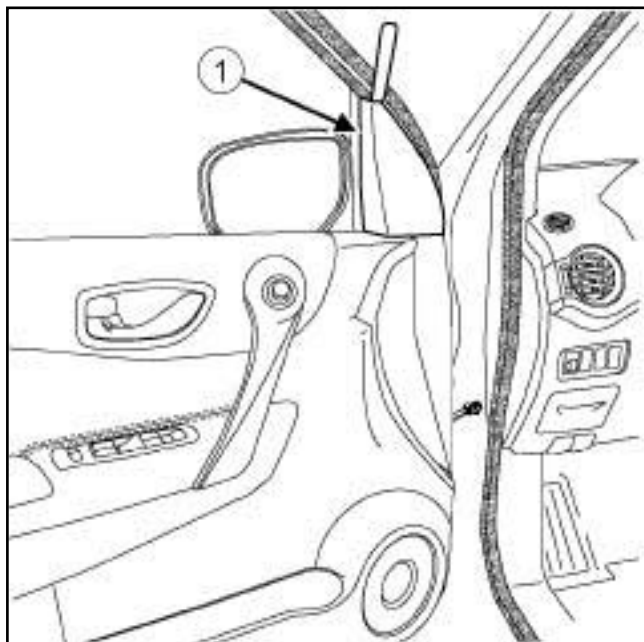
Front door side exterior weather strip: Removal - Refitting

Essential special tooling
Essential special tooling

Car. 1363 Set of trim removal levers.

REMOVAL

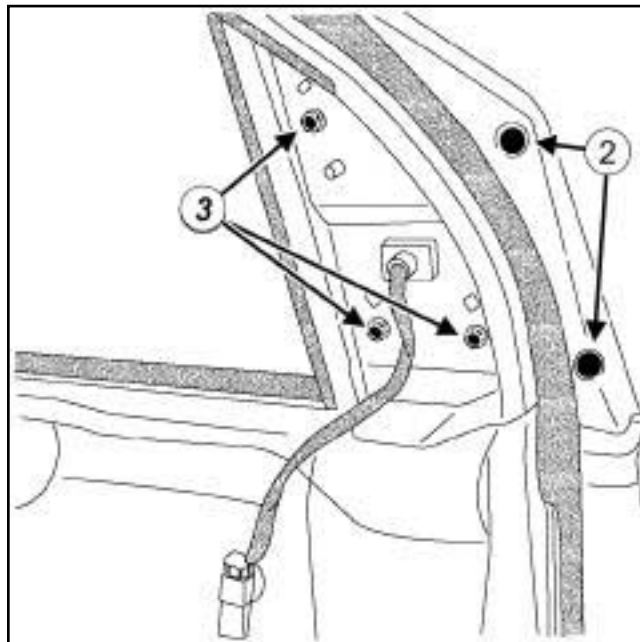
I - REMOVAL PREPARATION OPERATION



130341

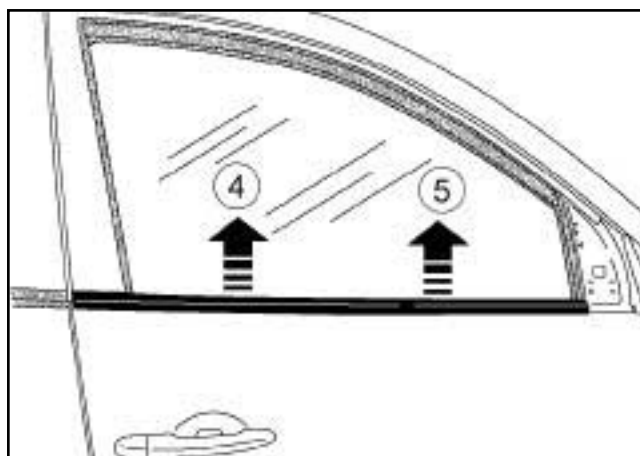
- Remove:
 - the interior trim (1) ,
 - the front side door trim (see **Front side door trim: Removal - Refitting**) (72A, Side opening elements trim).

II - OPERATION FOR REMOVAL OF PART CONCERNED



130342

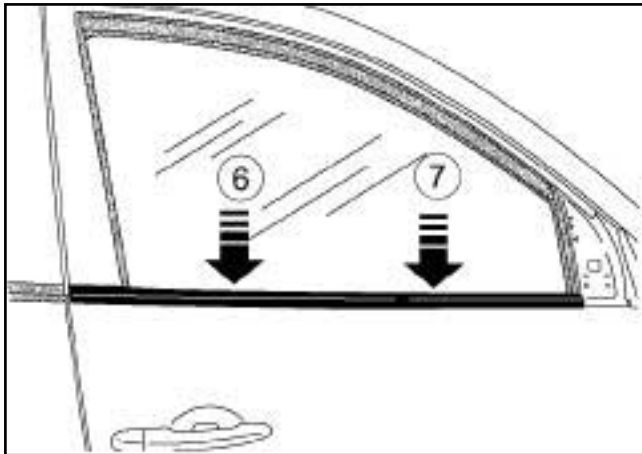
- Remove:
 - the clips (2) ,
 - the bolts (3) .
- Disconnect the connector (depending on equipment level).
- Remove the door mirror.



130343

- Carefully remove the front side door exterior weatherstrip in the direction of (4) and (5) using the tool (Car. 1363).

REFITTING



130344

- Refit:
 - the front side door exterior weatherstrip in the direction of **(6)** and **(7)** ,
 - the door mirror.
- Connect the connector (depending on the equipment level).
- Refit:
 - the clips **(2)** ,
 - the bolts **(3)** .

FINAL OPERATION.

- Refit:
 - the front side door trim (see **Front side door trim: Removal - Refitting**) (72A, Side opening elements trim),
 - the interior trim.

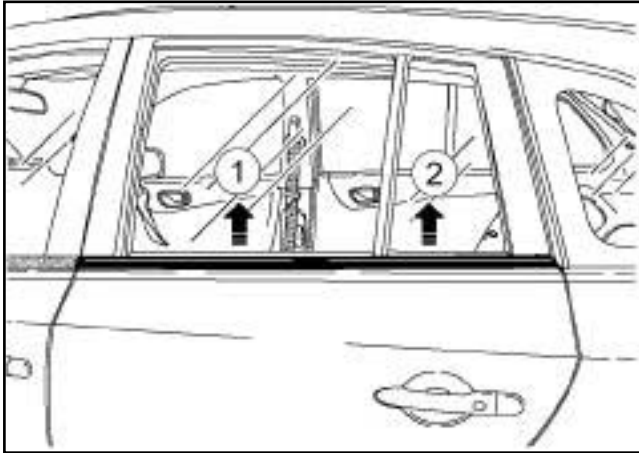
Essential special tooling
Essential special tooling

Car. 1363

Set of trim removal levers.

REMOVAL

OPERATION FOR REMOVAL OF PART CONCERNED



130345

- Carefully remove the exterior weatherstrip in the direction of (1) and (2) using the tool (**Car. 1363**).

REFITTING

REFITTING OPERATION FOR PART CONCERNED

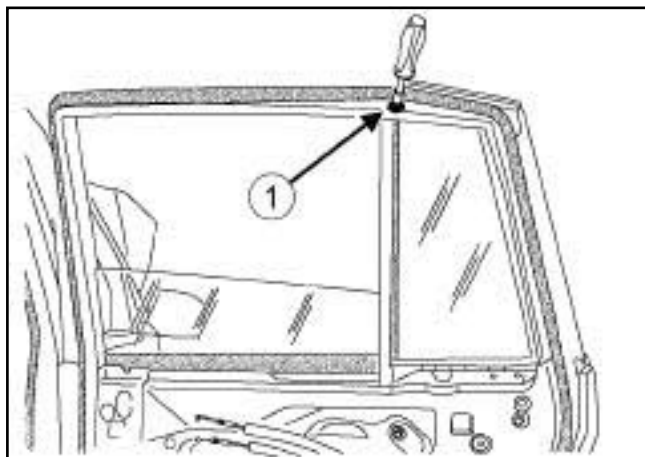
- Refit the rear side exterior door weatherstrip.

Glass run channel in rear side door: Removal - Refitting

REMOVAL

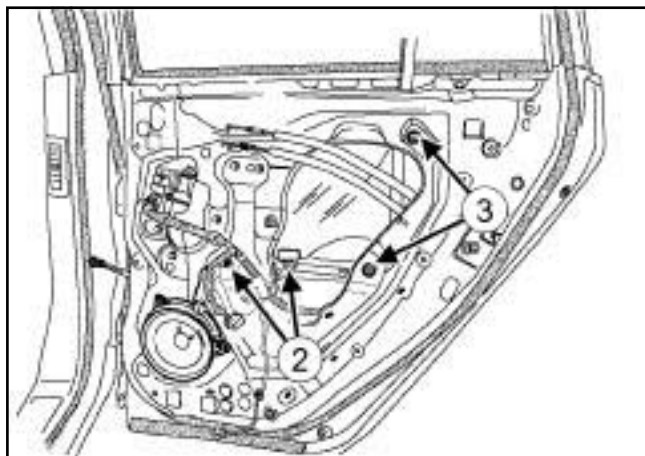
I - REMOVAL PREPARATION OPERATION

- Remove the rear side door trim (see **Rear side door trim: Removal - Refitting**) (72A, Side opening element trim).
- Completely lower the rear side door window to remove the window bolts.



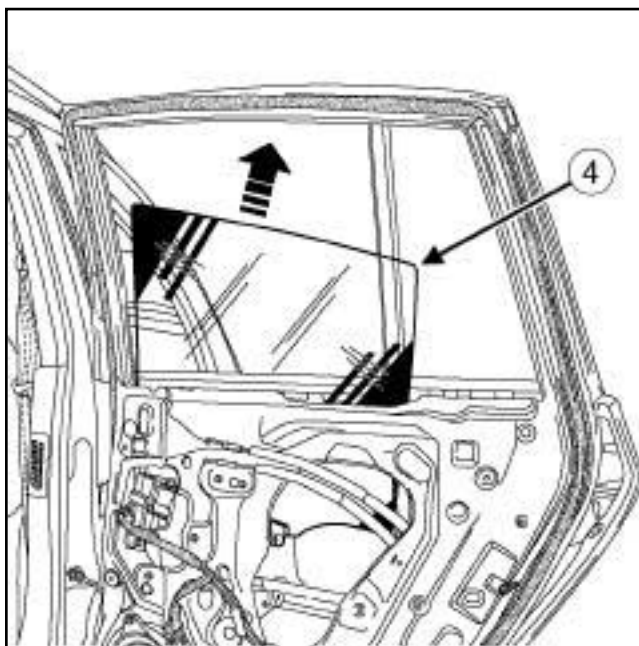
130346

- Remove:
 - the rear side door channel partially,
 - the fixed upright upper bolt (1) .



130347

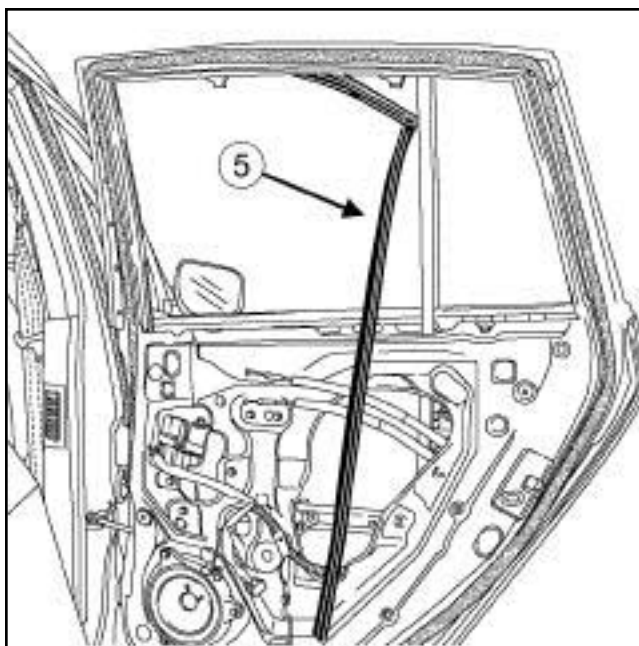
- Remove:
 - the window bolts (2) ,
 - the fixed upright bolts (3) .
- Turn the fixed upright a quarter of a turn to remove the rear side door sliding window.



130348

- Remove the sliding window (4) from the rear side door.

II - OPERATION FOR REMOVAL OF PART CONCERNED



130349

- Remove the rear side door window channel (5) .

REFITTING

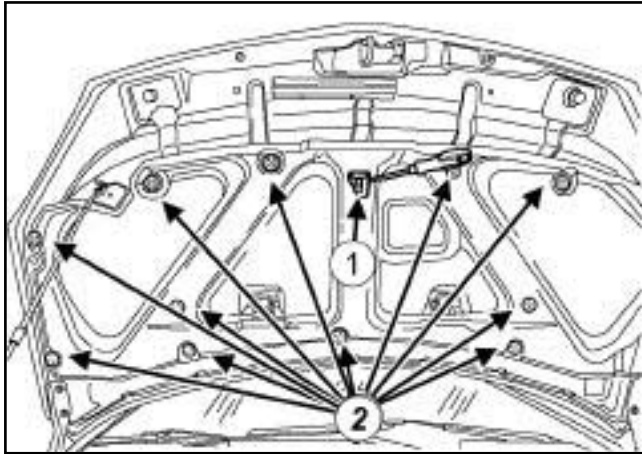
I - REFITTING OPERATION FOR PART CONCERNED

- Refit the rear side door window channel (5) .

II - FINAL OPERATION.

Refit:

- the rear side door sliding window **(4)** in the door box section,
- the fixed upright bolts **(3)** ,
- the window bolts **(2)**
- the fixed upright upper bolt **(1)** ,
- the rear side door trim (see **Rear side door trim: Removal - Refitting**) (72A, Side opening element trim).

Bonnet soundproofing: Removal - Refitting**REMOVAL****OPERATION FOR REMOVAL OF PART CONCERNED**

130246

 Remove:

- the seal (1) ,
- the bonnet soundproofing clips (2) ,
- the bonnet soundproofing.

REFITTING**I - REFITTING PREPARATION OPERATION**

-
- Replace the bonnet soundproofing clips if necessary.

II - REFITTING OPERATION FOR PART CONCERNED Refit:

- the bonnet soundproofing,
- the clips (2) ,
- the seal (1) .

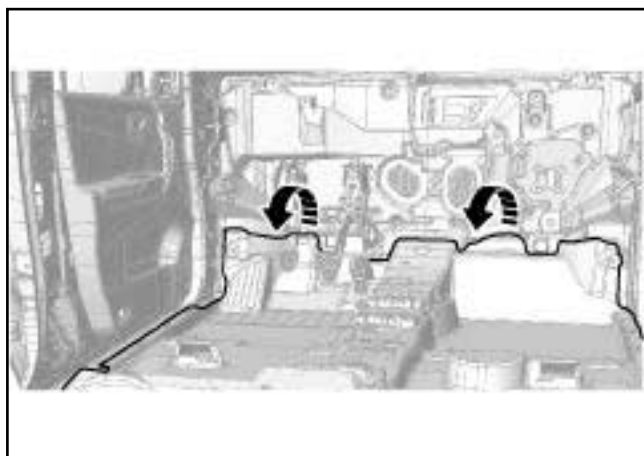
Centre floor side soundproofing: Removal - Refitting

REMOVAL

I - REMOVAL PREPARATION OPERATION

□ Remove:

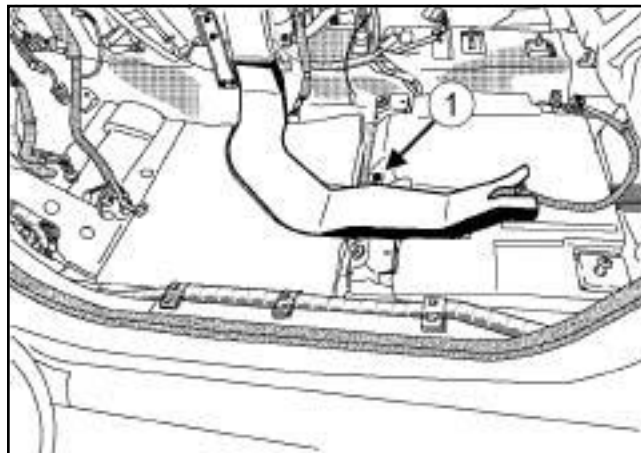
- the dashboard (see **Dashboard: Removal - Refitting**) (57A, Interior equipment),
- the dashboard cross member (see **Dashboard cross member: Removal - Refitting**) (42A, Upper front structure),
- the air distribution unit (see **Air distribution unit: Removal - Refitting**) ,
- the central console (see **Centre console: Removal - Refitting**) (57A, Interior equipment),
- the gear control unit (see **Gear control unit: Removal - Refitting**) (37A, Mechanical component controls),
- the airbag computer (see **Airbag computer: Removal - Refitting**) (88C, Airbag and pretensioners),
- the front door sill lining (see **Front door sill lining: Removal - Refitting**) (71A, Body internal trim),
- the rear inner sill trim (see **Rear door sill lining: Removal - Refitting**) (71A, Body internal trim),
- the B-pillar trim (see **B-pillar trim: Removal - Refitting**) (71A, Body internal trim),
- the front seat (see **Complete front seat: Removal - Refitting**) (75A, Front seat frames and runners).



131930

- Remove the front section of the carpet.

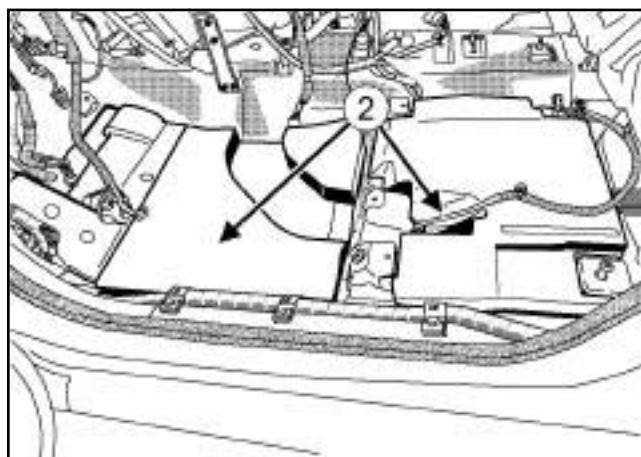
II - OPERATION FOR REMOVAL OF PART CONCERNED



131931

□ Remove:

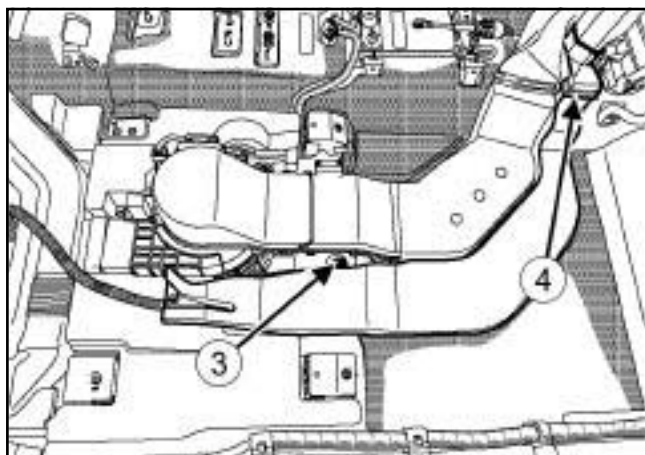
- the clip (1) ,
- the left-hand side air distribution duct.



131932

- Remove the left-hand floor side soundproofing (2) .

Centre floor side soundproofing: Removal - Refitting



132760

- Remove the retaining clip (3) from the rear right-hand air distribution duct.
- Lift the rear right-hand air distribution duct at (4) .
- Remove:
 - the module of the rear fan assembly,
 - the floor side soundproofing.

REFITTING**I - REFITTING OPERATION FOR PART CONCERNED**

- Refit:
 - the floor side soundproofing,
 - the module of the rear fan assembly,
 - the rear right-hand air distribution duct,
 - the left-hand floor side soundproofing,
 - the clip
 - the left-hand side air distribution duct,
 - the clips (1) .

II - FINAL OPERATION.

- Refit:
 - the front seat (see **Complete front seat: Removal - Refitting**) (75A, Front seat frames and runners),
 - the B-pillar trim (see **B-pillar trim: Removal - Refitting**) (71A, Body internal trim),
 - the rear inner sill trim (see **Rear door sill lining: Removal - Refitting**) (71A, Body internal trim),
 - the front door sill lining (see **Front door sill lining: Removal - Refitting**) (71A, Body internal trim),

- the airbag computer (see **Airbag computer: Removal - Refitting**) (88C, Airbag and pretensioners),
- the gear control unit (see **Gear control unit: Removal - Refitting**) (37A, Mechanical component controls),
- the central console (see **Centre console: Removal - Refitting**) (57A, Interior equipment),
- the air distribution unit (see **Air distribution unit: Removal - Refitting**) ,
- the dashboard cross member (see **Dashboard cross member: Removal - Refitting**) (42A, Upper front structure),
- the dashboard (see **Dashboard: Removal - Refitting**) (57A, Interior equipment).

Centre floor rear soundproofing: Removal - Refitting

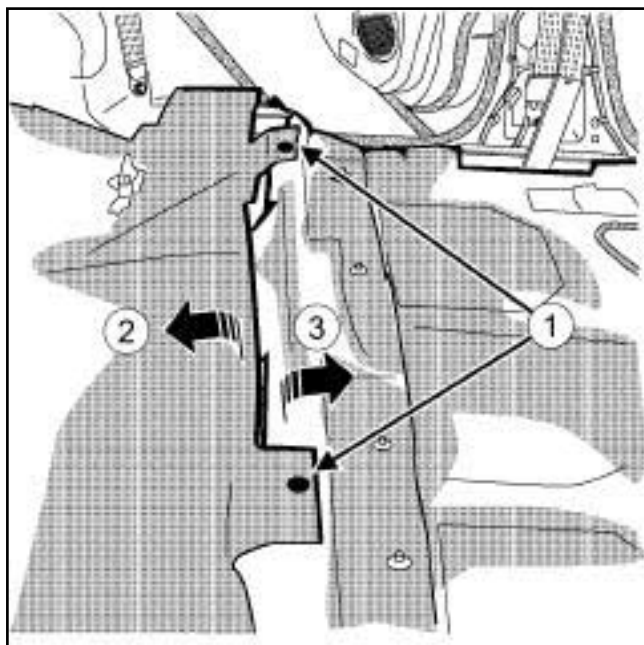
REMOVAL

I - REMOVAL PREPARATION OPERATION

□ Remove:

- the front door sill lining (see **Front door sill lining: Removal - Refitting**) (71A, Body internal trim),
- the rear inner sill trim (see **Rear door sill lining: Removal - Refitting**) (71A, Body internal trim),
- the B-pillar trim (see **B-pillar trim: Removal - Refitting**) (71A, Body internal trim),
- the central console (see **Centre console: Removal - Refitting**) (57A, Interior equipment),
- the rear bench seat base (see **Complete rear seat: Removal - Refitting**) (76A, Rear seat frames and runners).

II - OPERATION FOR REMOVAL OF PART CONCERNED

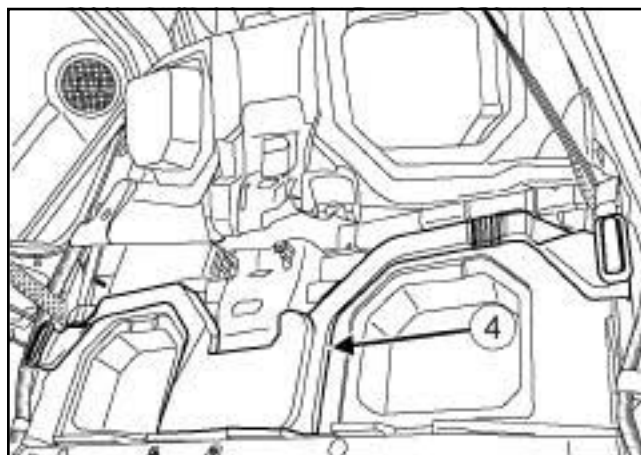


131933

□ Remove the clips (1) .

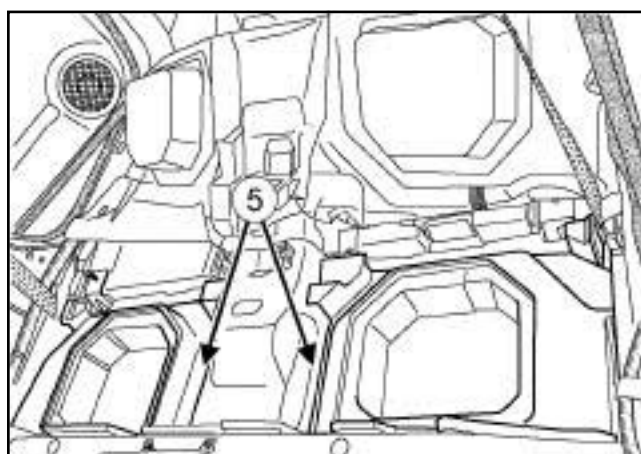
□ Remove:

- the rear carpet at (2) ,
- the rear section of the front carpet at (3) .



131934

□ Remove the rear heating duct (4) .



131935

□ Remove the rear floor soundproofing (5) .

REFITTING

I - REFITTING OPERATION FOR PART CONCERNED

□ Refit:

- the rear floor soundproofing,
- the rear heating duct,
- the front carpet,
- the rear carpet,
- the clips.

II - FINAL OPERATION.

□ Refit:

- the rear bench seat base (see **Complete rear seat: Removal - Refitting**) (76A, Rear seat frames and runners),

Centre floor rear soundproofing: Removal - Refitting

- the central console (see **Centre console: Removal - Refitting**) (57A, Interior equipment),
- the B-pillar trim (see **B-pillar trim: Removal - Refitting**) (71A, Body internal trim),
- the rear inner sill trim (see **Rear door sill lining: Removal - Refitting**) (71A, Body internal trim),
- the front door sill lining (see **Front door sill lining: Removal - Refitting**) (71A, Body internal trim).

Bulkhead insulating material: Removal - Refitting

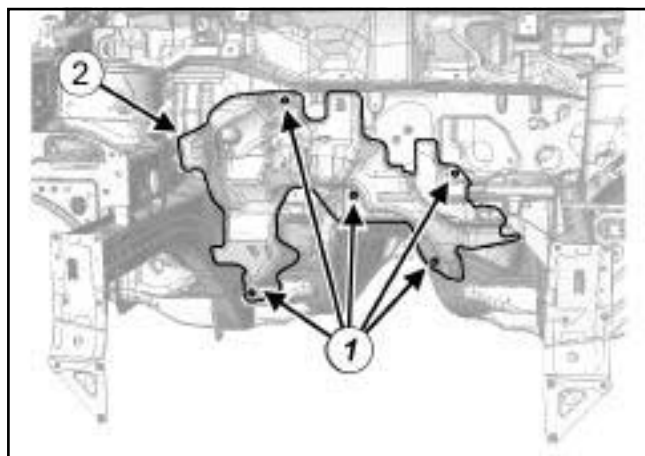
REMOVAL

I - REMOVAL PREPARATION OPERATION

 Remove:

- the battery (see **Battery : Removal - Refitting**) (80A, Battery)
- the battery tray (see **Battery tray: Removal - Refitting**) (80A, Battery),
- the air filter unit (see **Air filter unit: Removal - Refitting**) (12A, Fuel mixture),
- the air inlet duct,
- the windscreen wiper arms (see **Windscreen wiper arm: Removal - Refitting**) (85A, Wiping - Washing),
- the scuttle panel half-grille (see **Scuttle half-grille: Removal - Refitting**) (56A, Exterior equipment),
- the windscreen wiper mechanism (see **Windscreen wiper mechanism: Removal - Refitting**) (85A, Wiping - Washing),
- the scoop under the scuttle panel grille (see **Scoop under scuttle panel grille: Removal - Refitting**) (56A, Exterior equipment),
- the particle filter (see **Particle filter: Removal - Refitting**) (19B, Exhaust).

II - OPERATION FOR REMOVAL OF PART CONCERNED



131918

 Remove:

- the clips (1) ,
- the bulkhead insulation (2) .

REFITTING

I - REFITTING OPERATION FOR PART CONCERNED

 Refit:

- the bulkhead insulation,
- the clips.

II - FINAL OPERATION.

 Refit:

- the particle filter (see **Particle filter: Removal - Refitting**) (19B, Exhaust),
- the scoop under the scuttle panel grille (see **Scoop under scuttle panel grille: Removal - Refitting**) (56A, Exterior equipment),
- the windscreen wiper mechanism (see **Windscreen wiper mechanism: Removal - Refitting**) (85A, Wiping - Washing),
- the scuttle panel half-grille (see **Scuttle half-grille: Removal - Refitting**) (56A, Exterior equipment),
- the windscreen wiper arms (see **Windscreen wiper arm: Removal - Refitting**) (85A, Wiping - Washing),
- the air inlet duct,
- the air filter unit (see **Air filter unit: Removal - Refitting**) (12A, Fuel mixture),
- the battery tray (see **Battery tray: Removal - Refitting**) (80A, Battery),
- the battery (see **Battery : Removal - Refitting**) (80A, Battery).